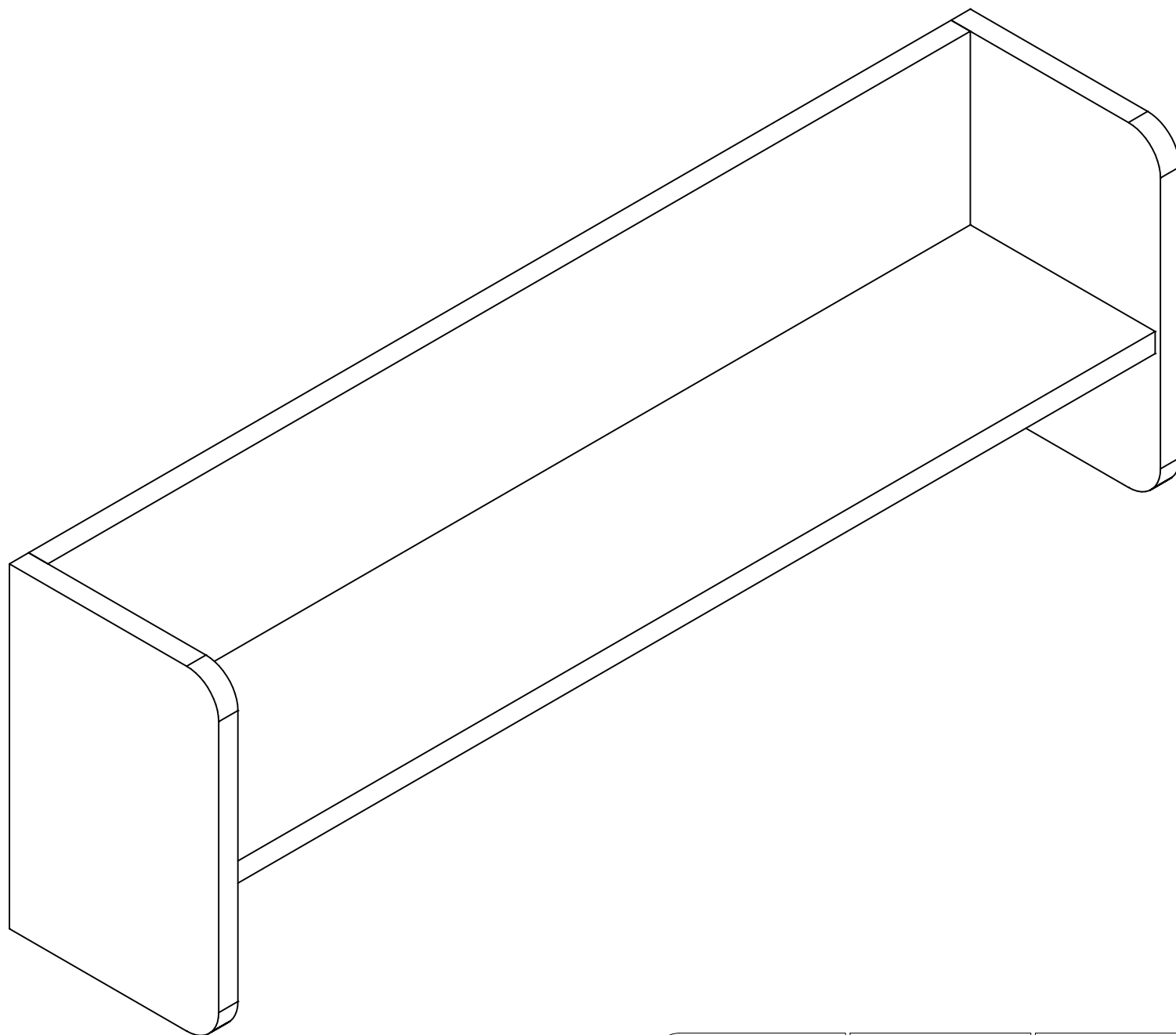
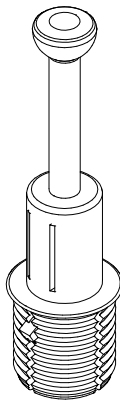
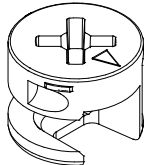

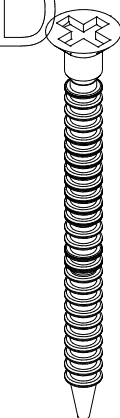
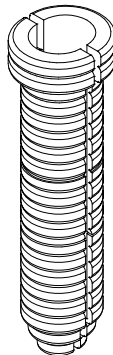



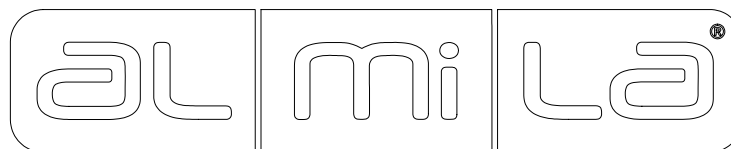
# MONTE - UPPER UNIT for DRESSING TABLE

Assembly Instruction - 1



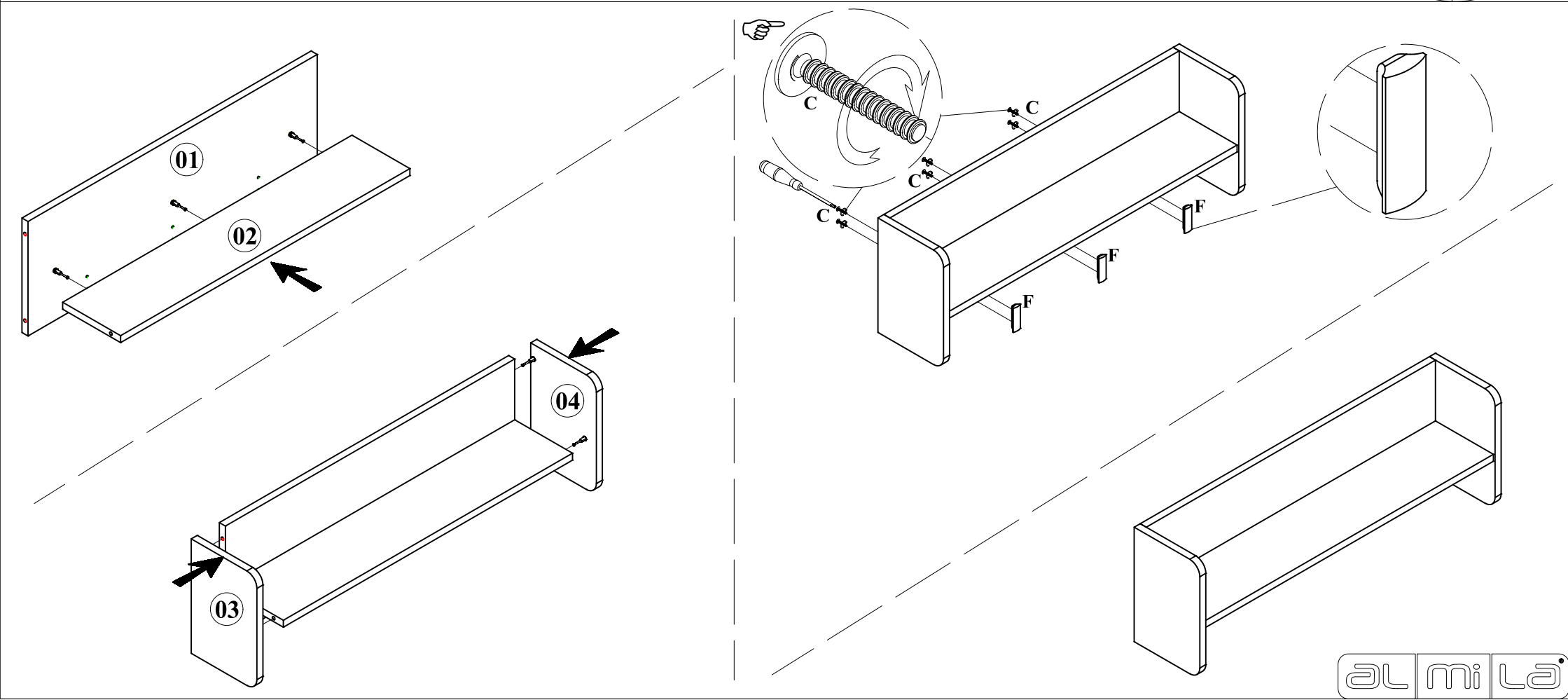
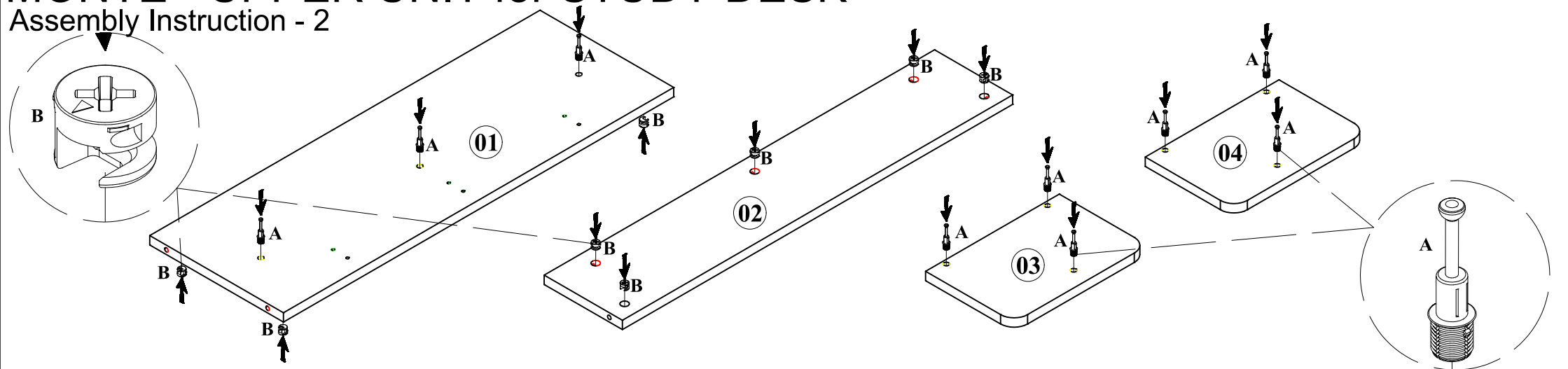
A	B	C
		
9	9	6
D	E	F
		
2	2	3

NO	W	x	L	x	H
01	864	x	296	x	18
02	864	x	173	x	18
03	296	x	196	x	18
04	296	x	196	x	18



# MONTE - UPPER UNIT for STUDY DESK

Assembly Instruction - 2



# MONTE - UPPER UNIT for STUDY DESK

Assembly Instruction - 3

