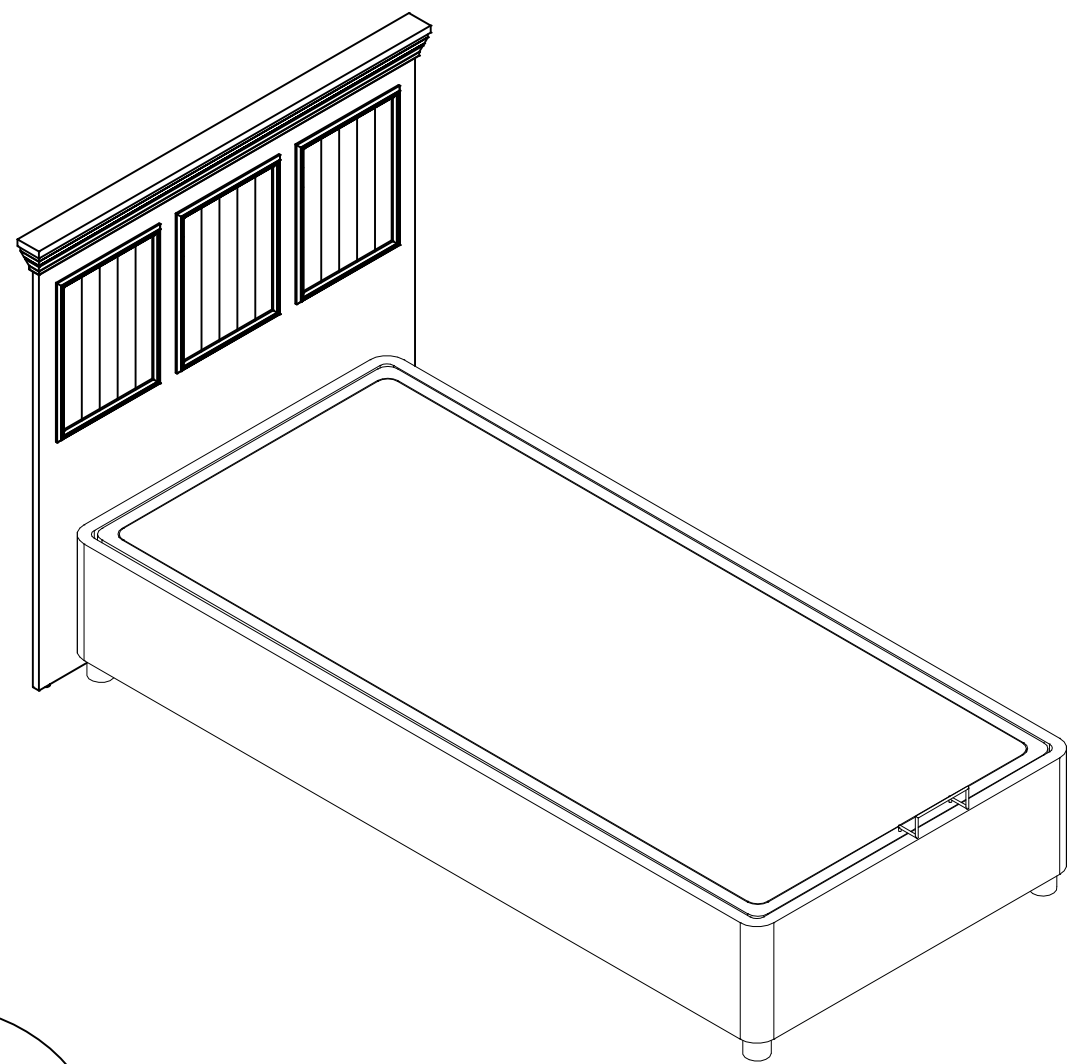
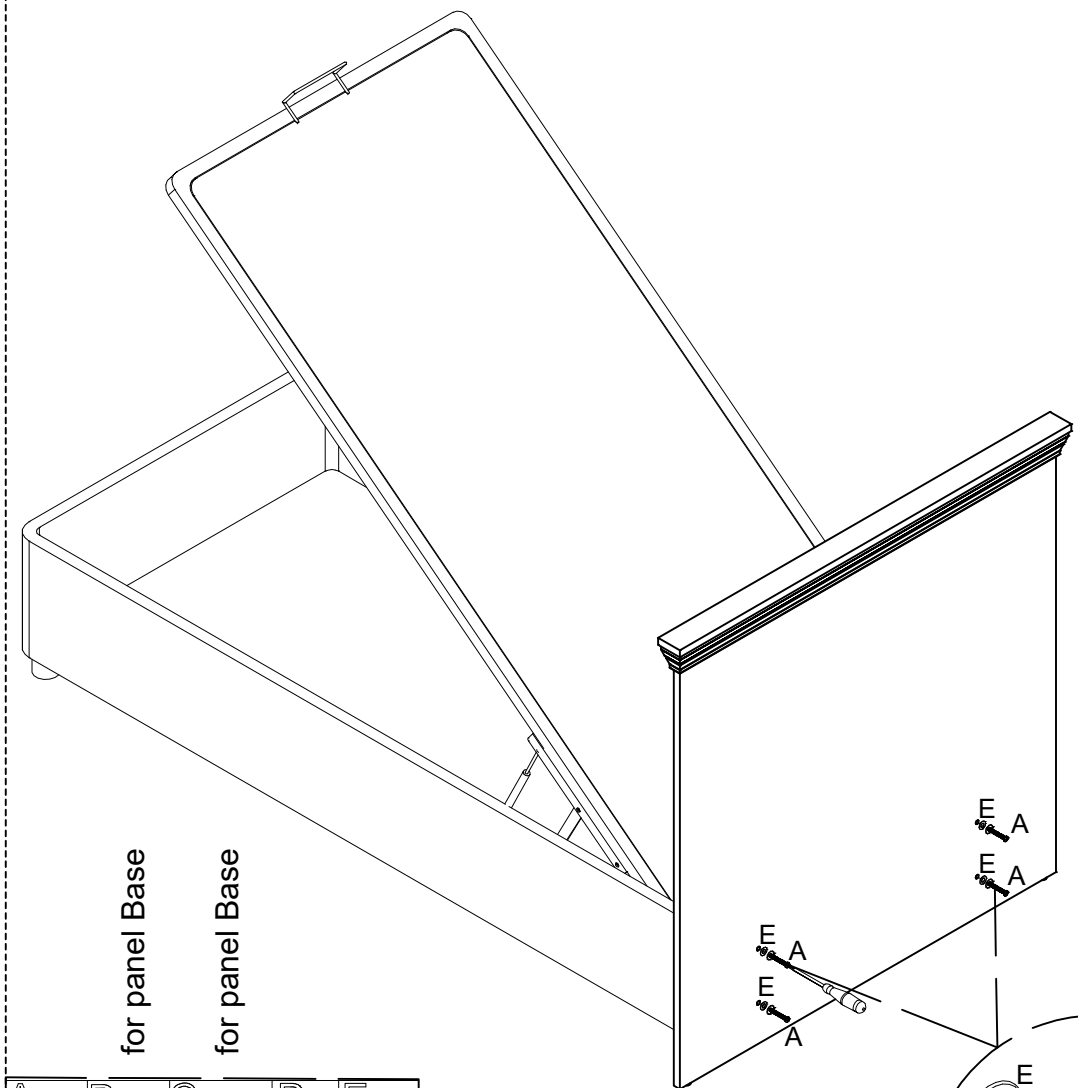


MONTE BASE HEADBOARD (100/120)

ASSEMBLY INSTRUCTION-1 (for metal base)



for panel Base
for panel Base

A	B	C	D	E
4	4	4	2	4

