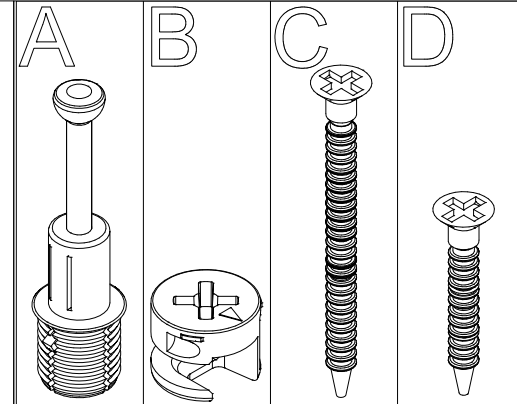
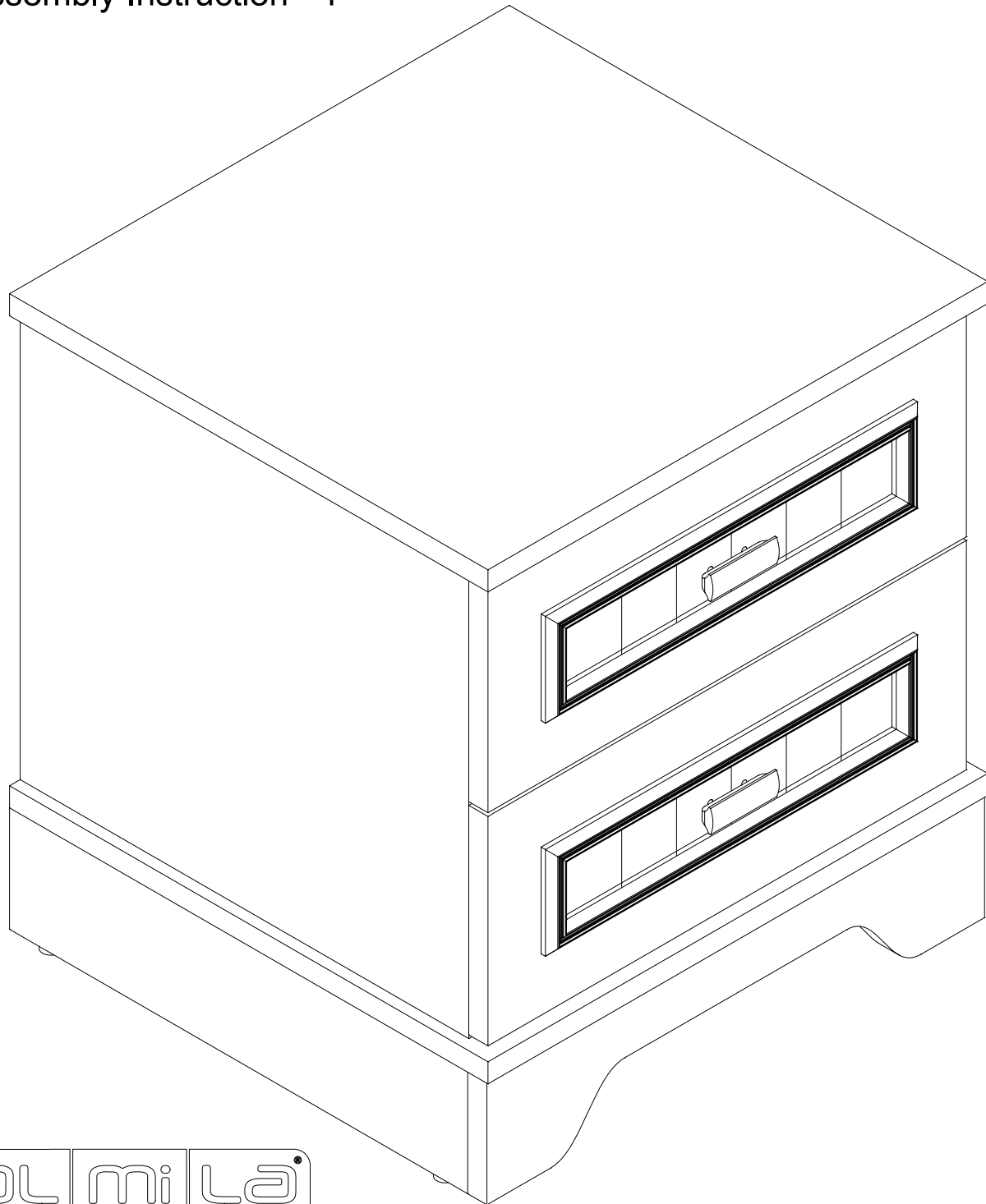
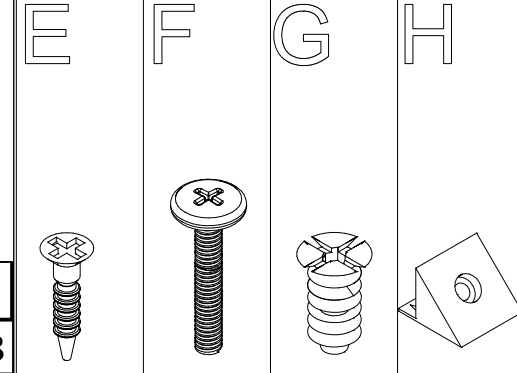


# MONTE - NIGHT STAND

Assembly Instruction - 1

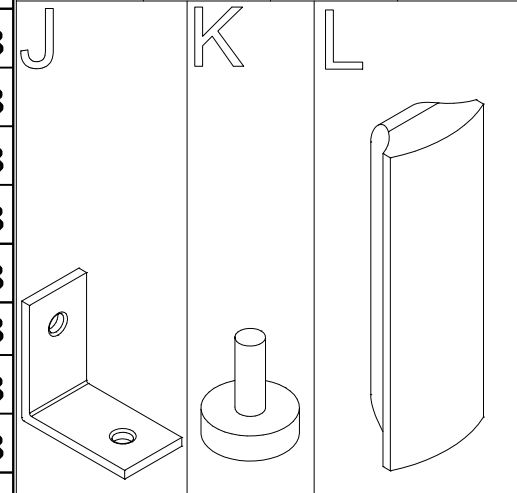


25 25 9 4



3 2 9 4

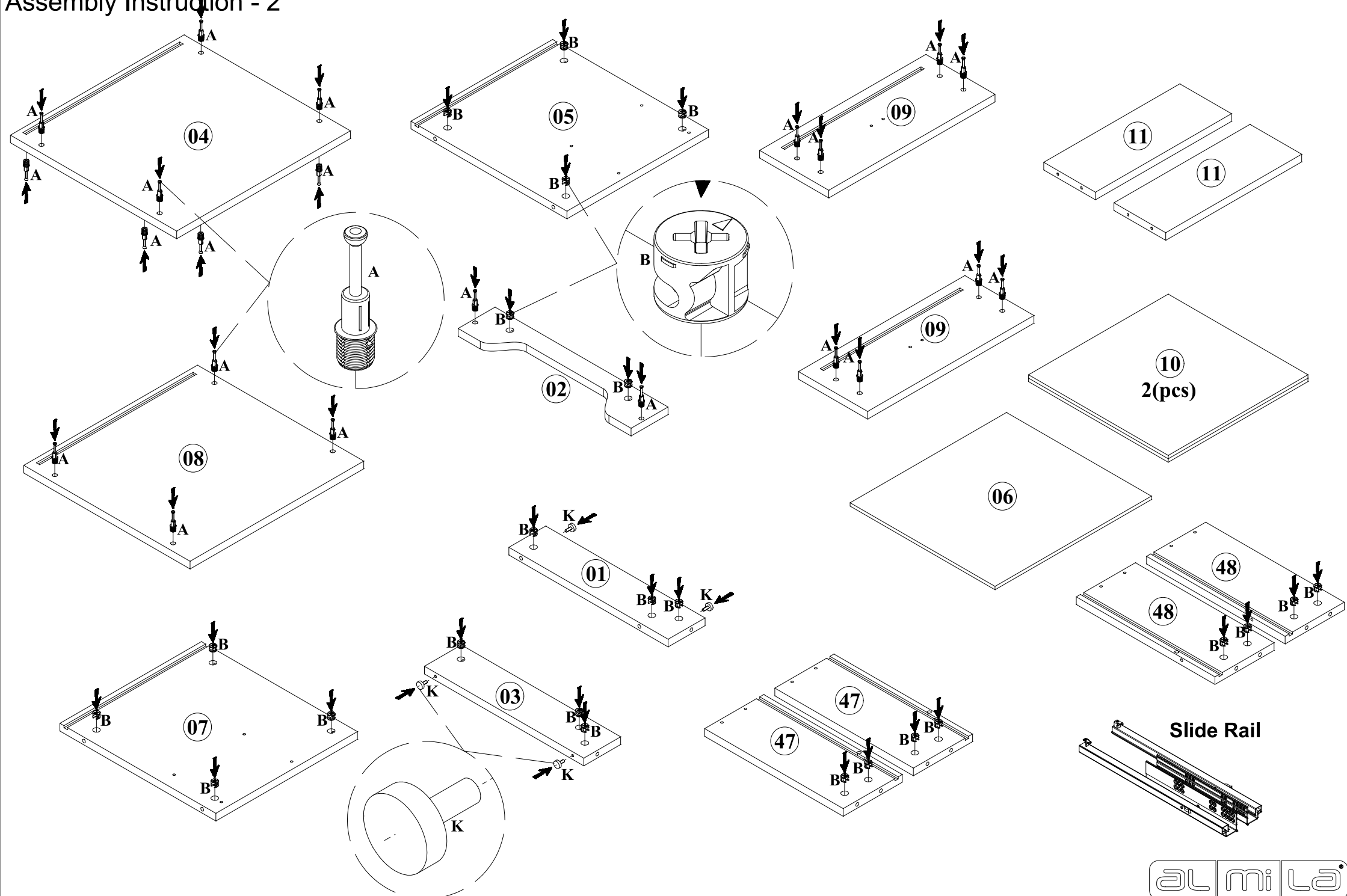
NO	W	x	L	x	H
01	431	x	100	x	18
02	468	x	100	x	18
03	431	x	100	x	18
04	470	x	450	x	18
05	383	x	422	x	18
06	423	x	392	x	8
07	383	x	422	x	18
08	470	x	450	x	18
09	450	x	187	x	28
10	378	x	378	x	8
11	368	x	140	x	18
47	375	x	160	x	18
48	375	x	160	x	18



2 5 2

# MONTE - NIGHT STAND

## Assembly Instruction - 2



# MONTE - NIGHTSTAND

Assembly Instruction - 3

