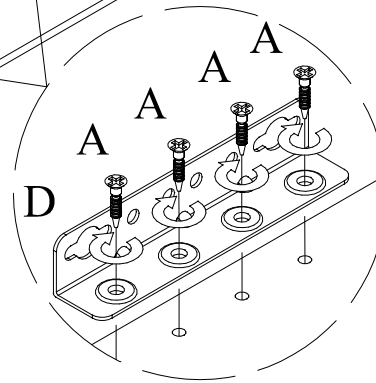
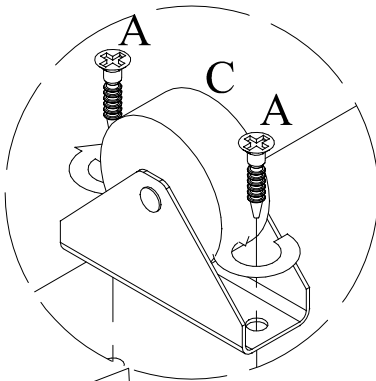
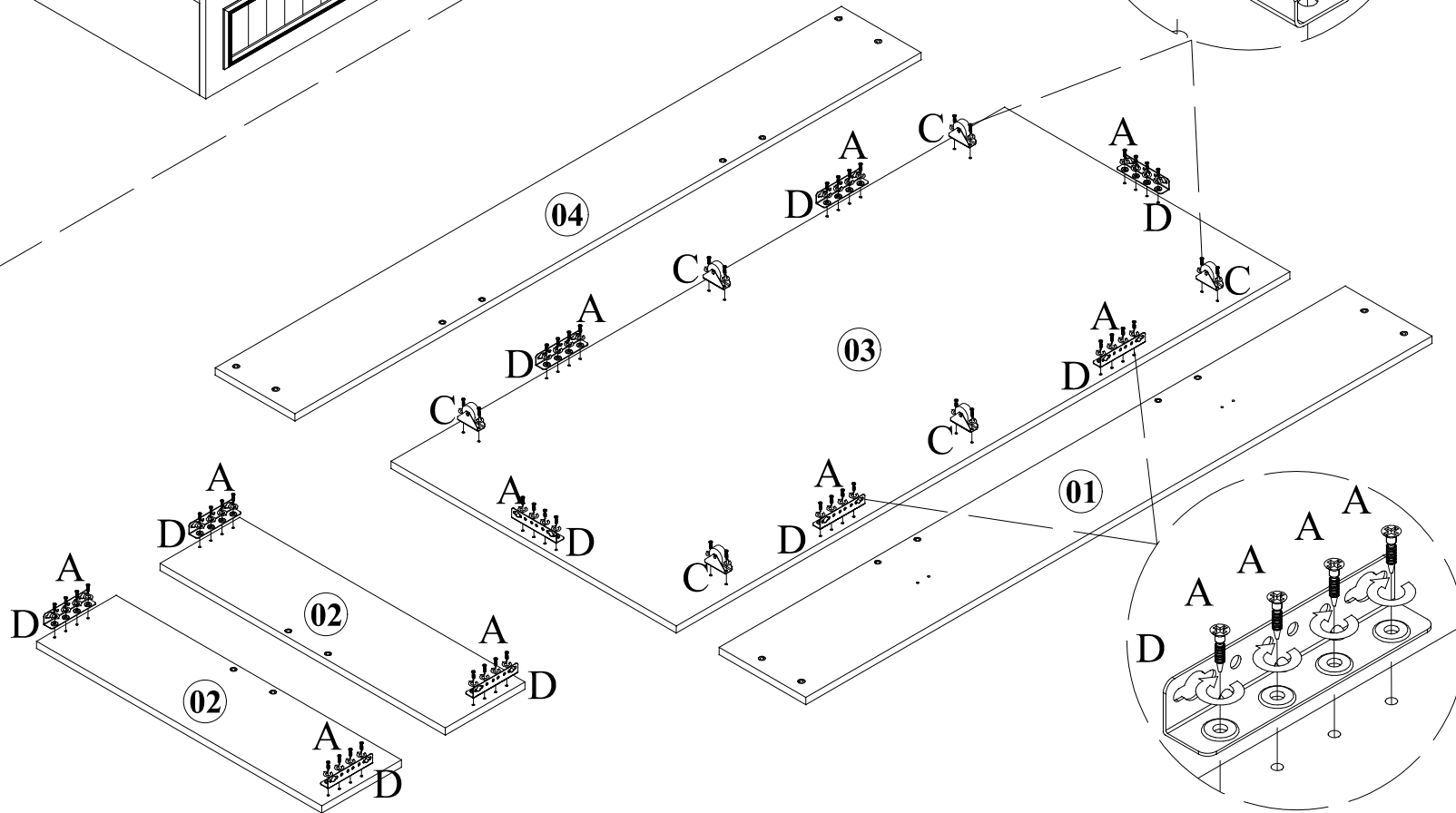
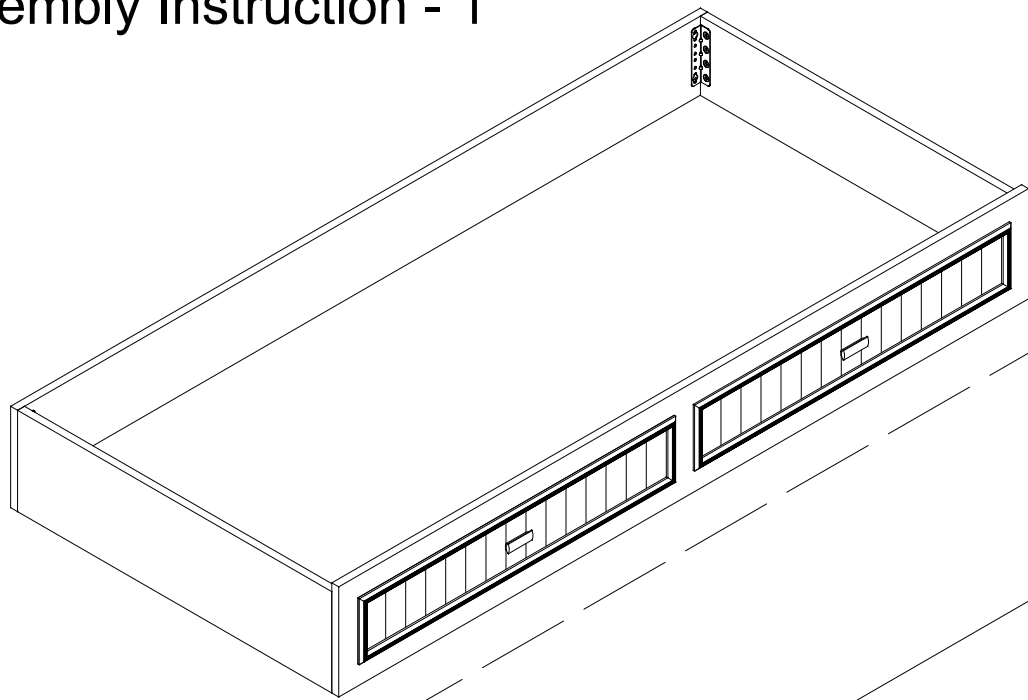
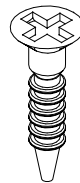
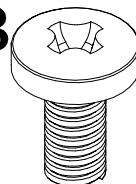
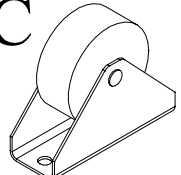
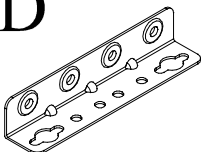

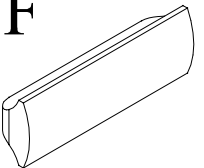


# MONTE PULL OUT BED (80x170)

## Assembly Instruction - 1



NO	W	x	L	x	H
01	1800	x	249	x	18
02	820	x	229	x	18
03	1761	x	820	x	18
04	1800	x	229	x	18
Accessory		Quantity			
A		52			
B		20			
C		6			
D		10			
E		4			
F		2			

# MONTE PULL OUT BED (80x170)

## Assembly Instruction - 2

