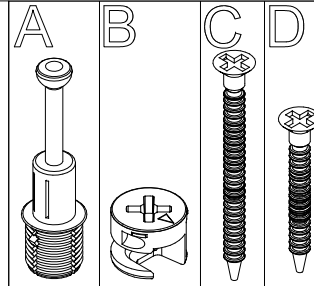
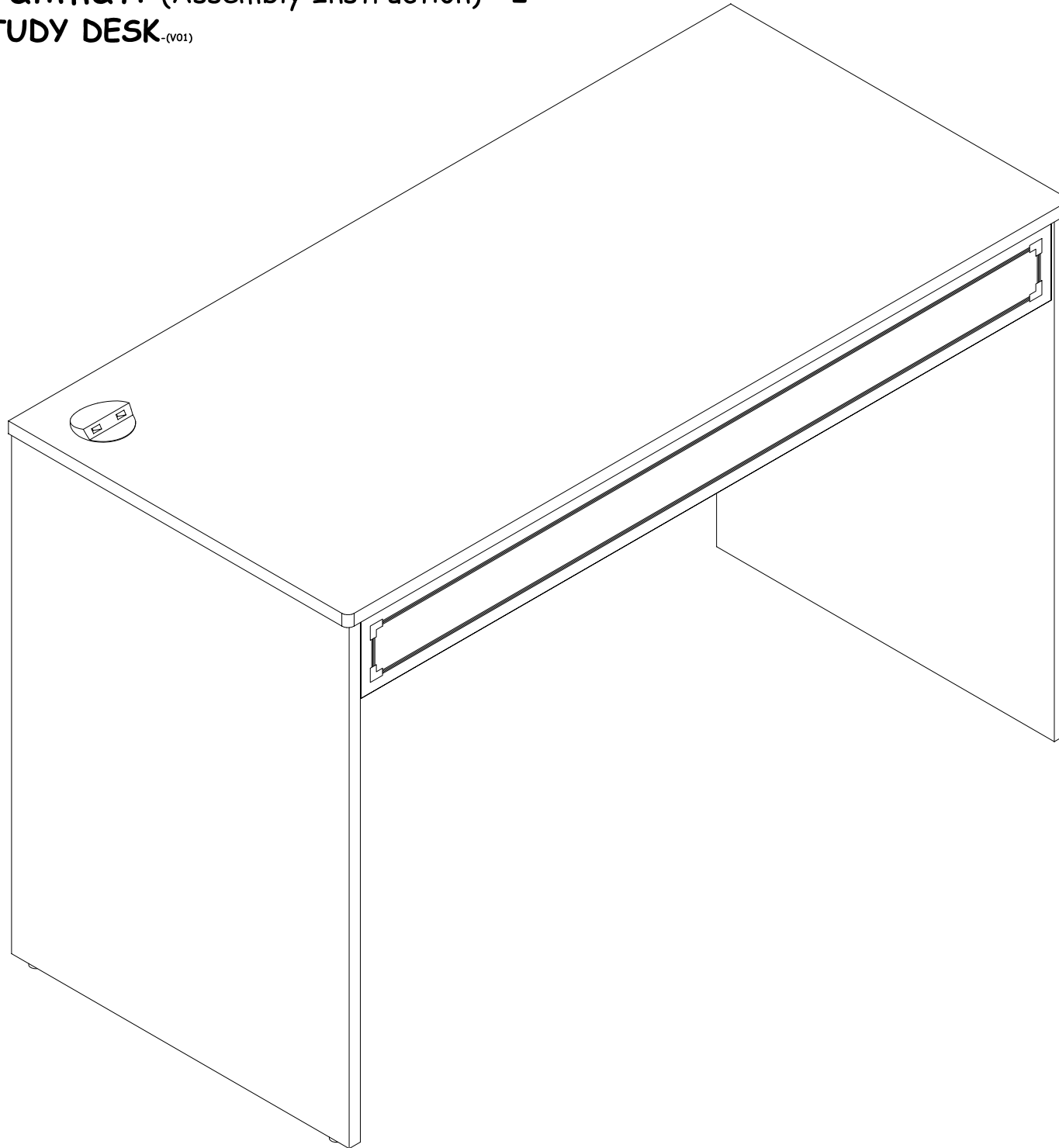
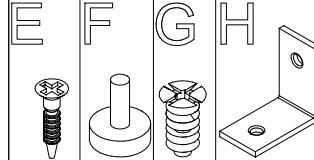


# Montaj Talimatı (Assembly Instruction) -1

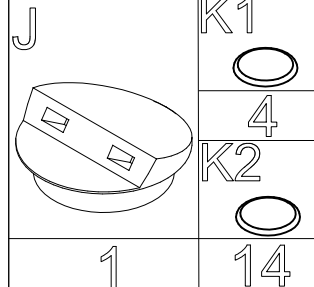
## STORY - STUDY DESK<sub>(v01)</sub>



18 18 4 2

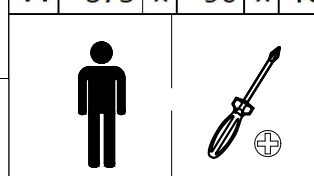


3 4 4 3



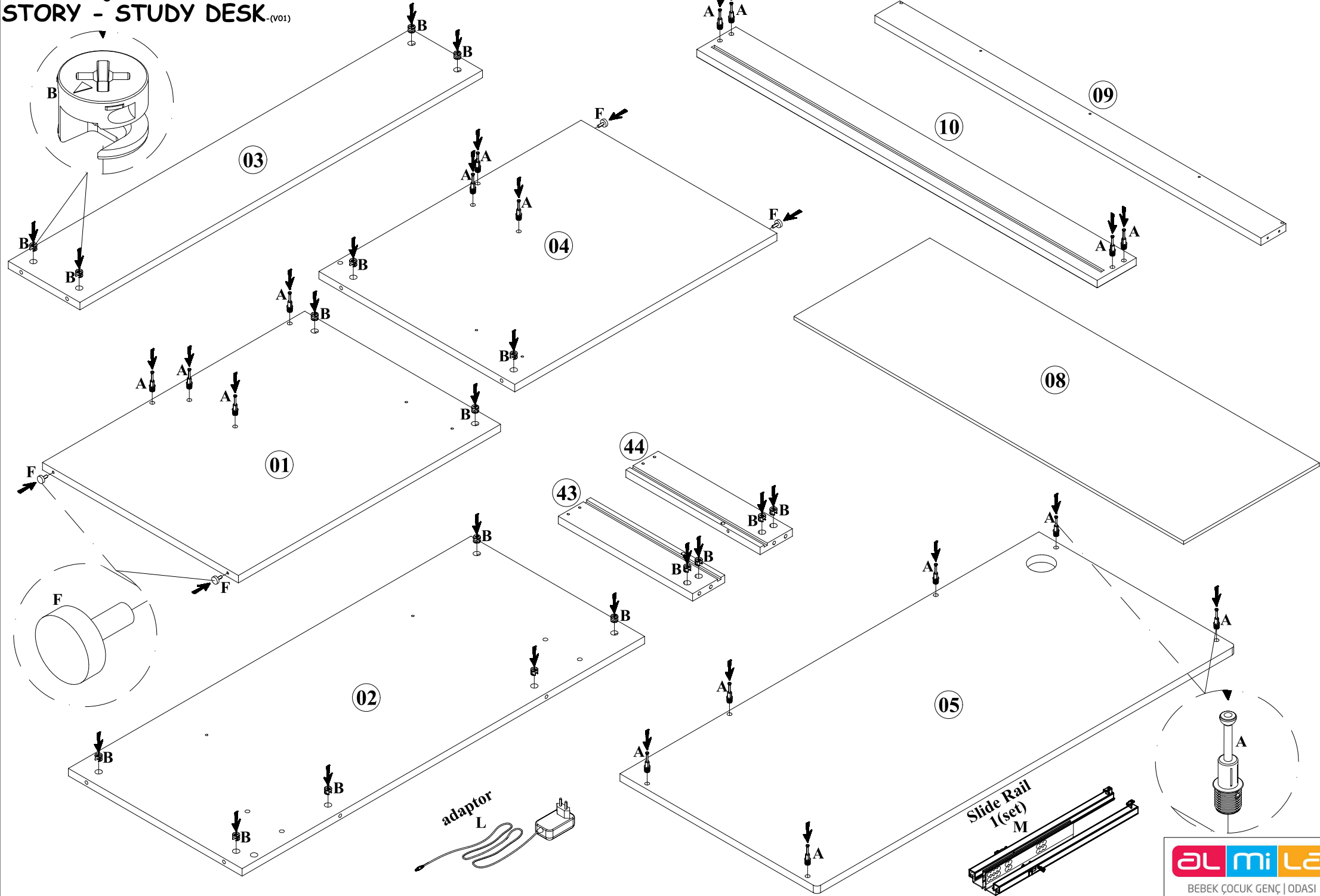
1 14

C	W	x	L	x	H
01	732	x	547	x	18
02	1124	x	485	x	18
03	1124	x	200	x	18
04	732	x	547	x	18
05	1176	x	553	x	18
08	1088	x	379	x	8
09	1078	x	70	x	18
10	1118	x	109	x	18
43	375	x	90	x	18
44	375	x	90	x	18



# Montaj Talimatı (Assembly Instruction) -2

## STORY - STUDY DESK<sub>(v01)</sub>



# Montaj Talimatı (Assembly Instruction) -3

## STORY - STUDY DESK (v01)

