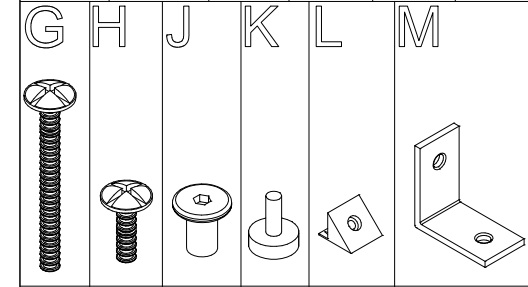
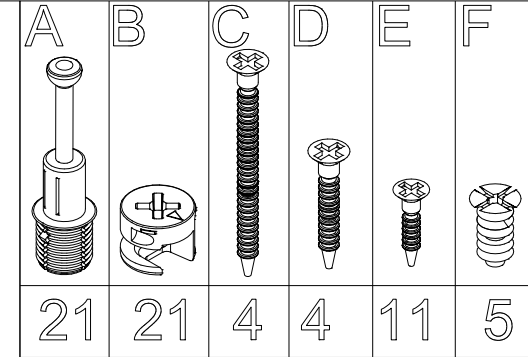
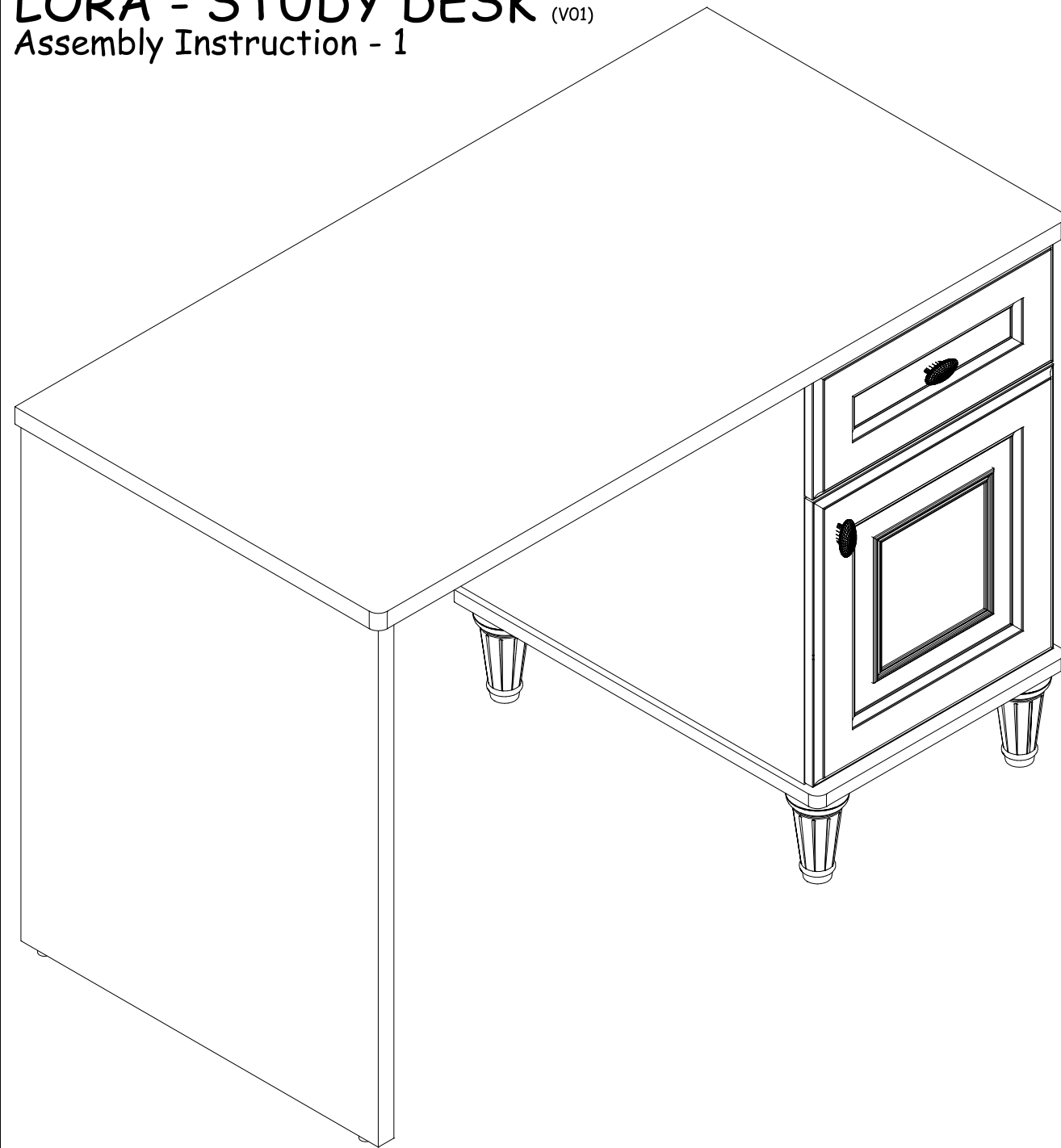
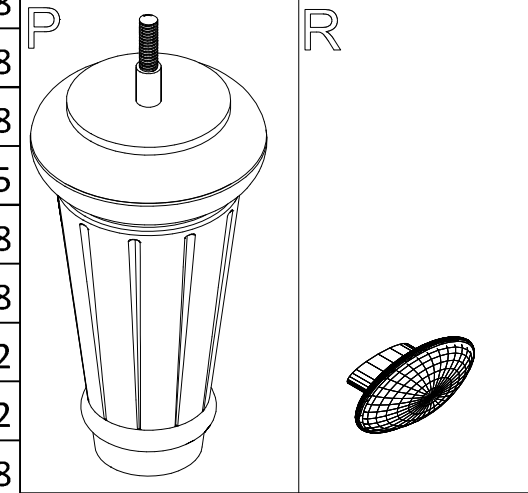
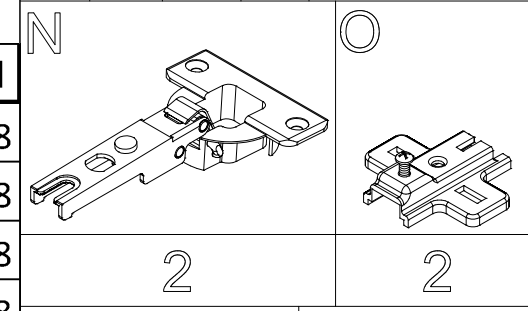


# LORA - STUDY DESK (V01)

## Assembly Instruction - 1



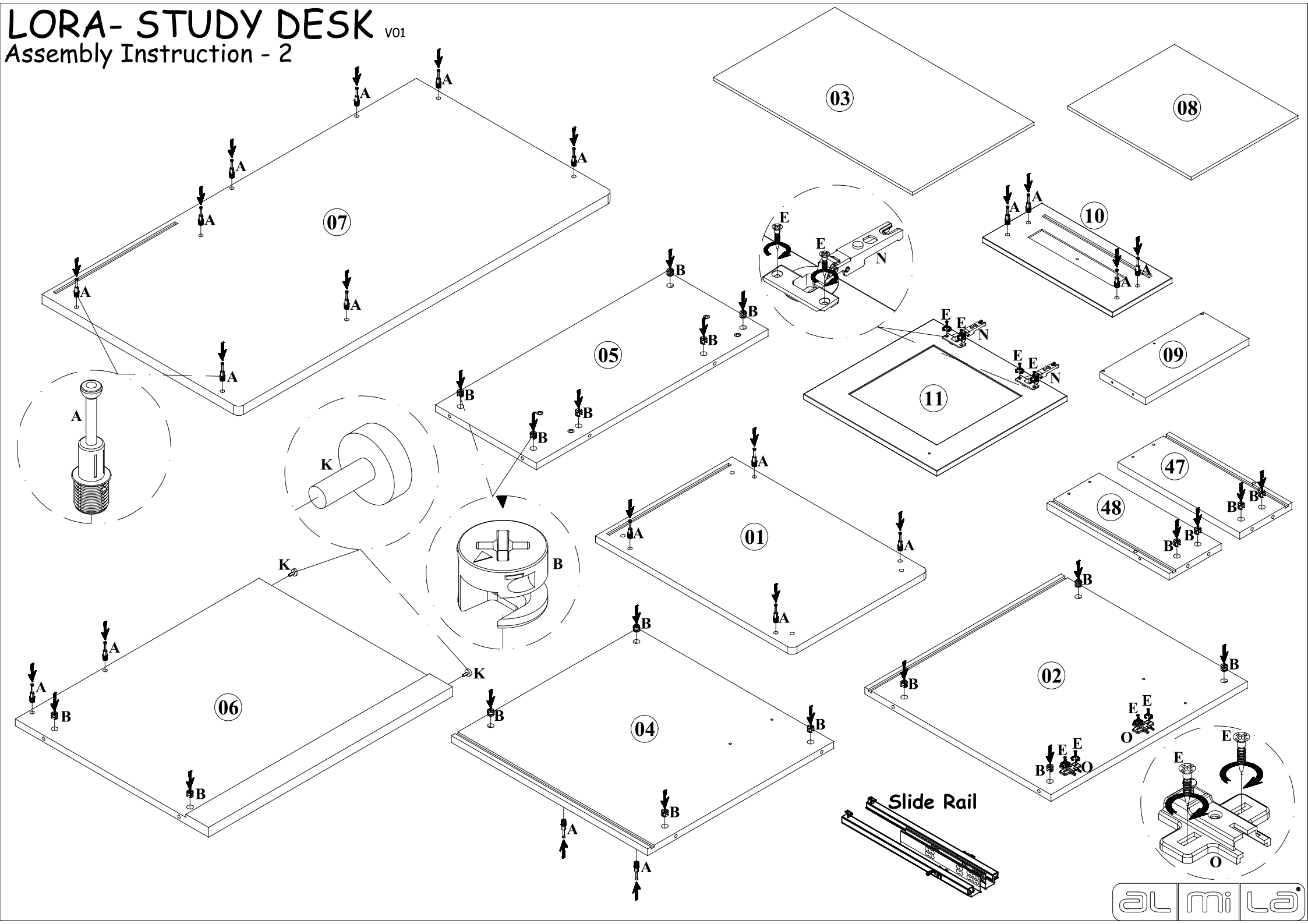
21 21 4 4 11 5



NO	W	x	L	x	H
01	604	x	420	x	18
02	603	x	572	x	18
03	612	x	373	x	8
04	603	x	572	x	18
05	712	x	310	x	18
06	749	x	594	x	18
07	1150	x	604	x	25
08	379	x	328	x	8
09	318	x	140	x	18
10	400	x	183	x	22
11	400	x	410	x	22
47	375	x	160	x	18
48	375	x	160	x	18

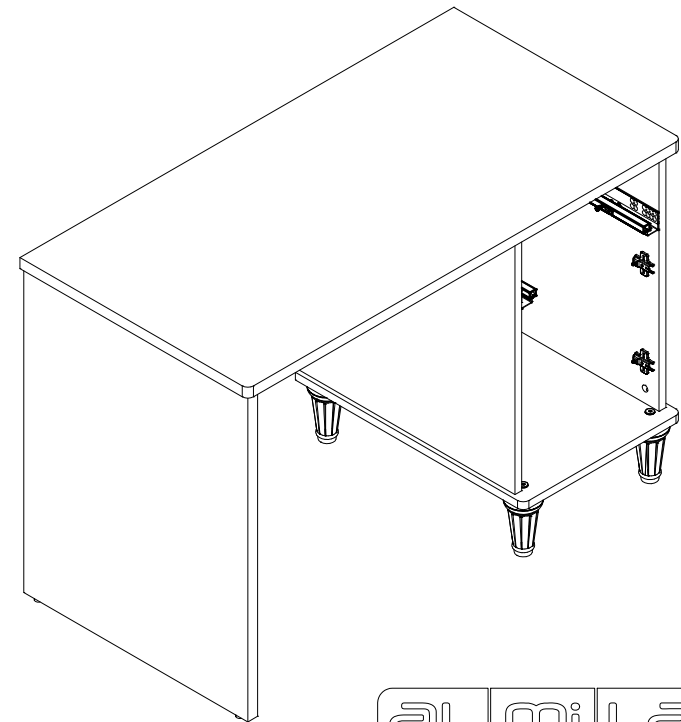
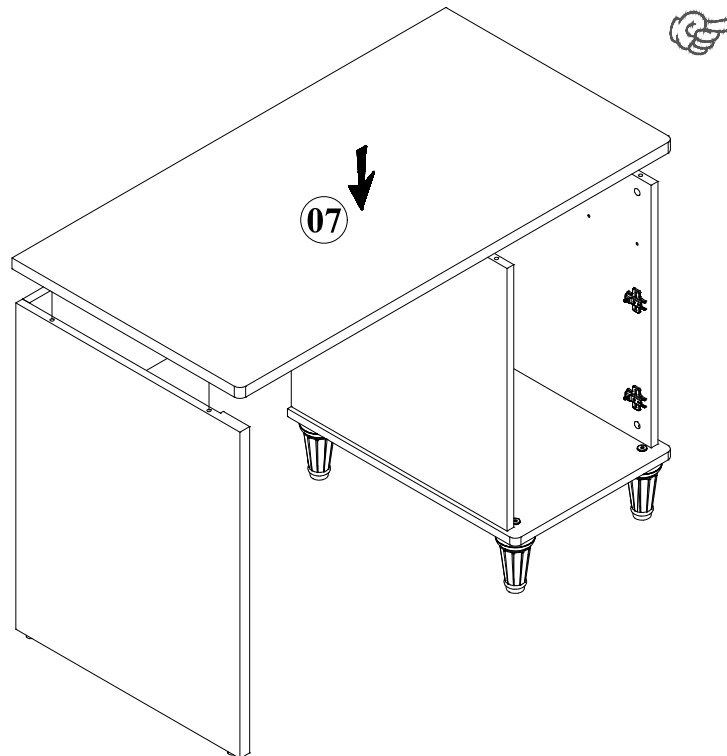
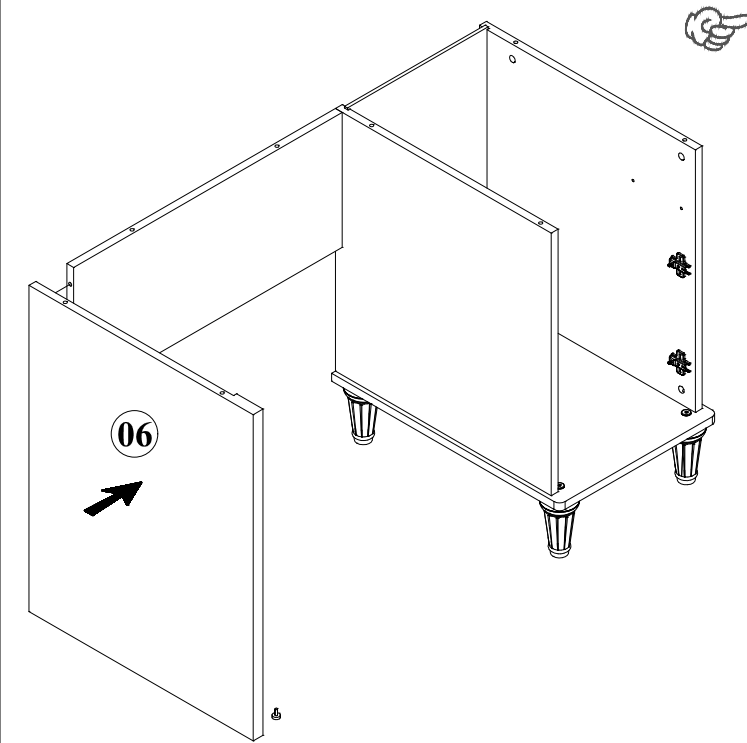
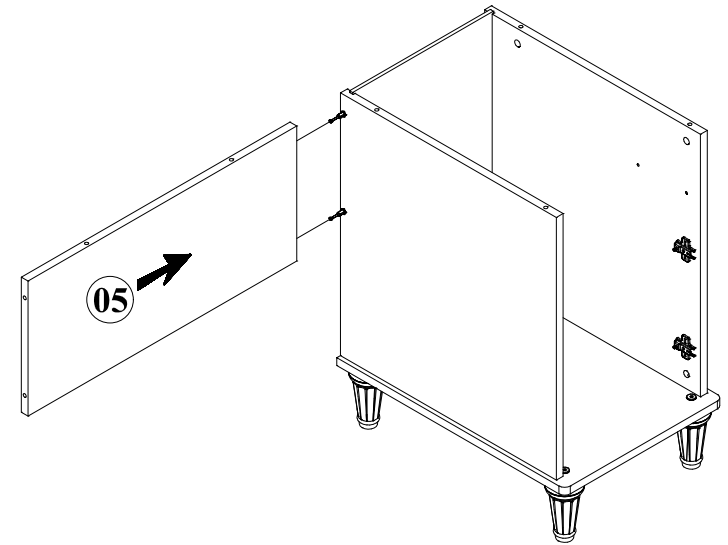
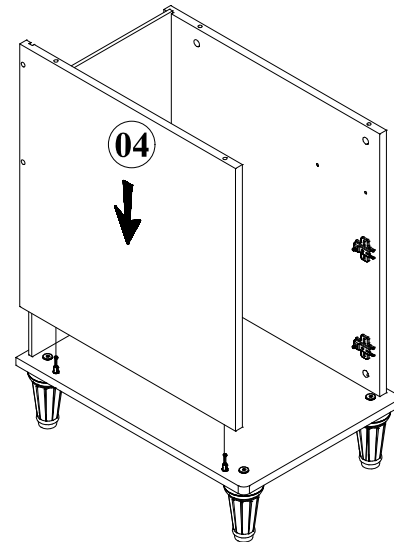
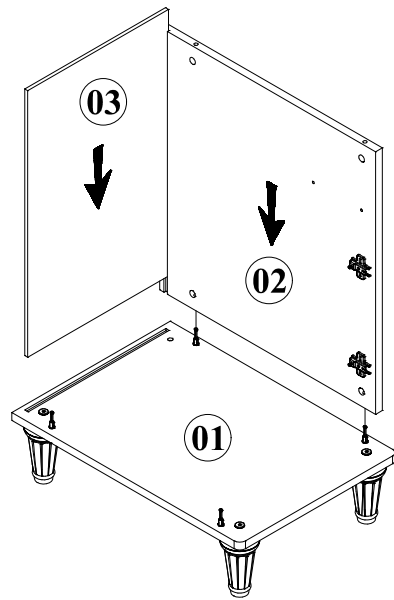
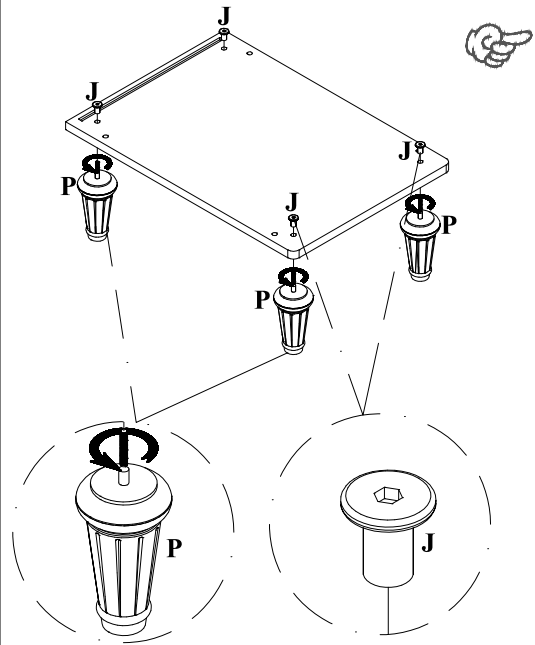
# LORA - STUDY DESK v01

## Assembly Instruction - 2



# LORA - STUDY DESK v01

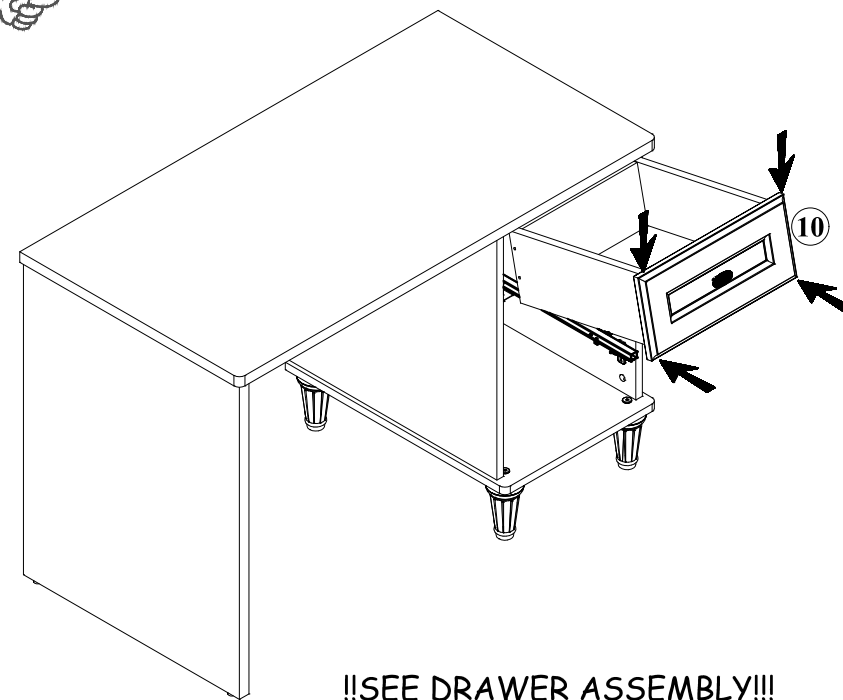
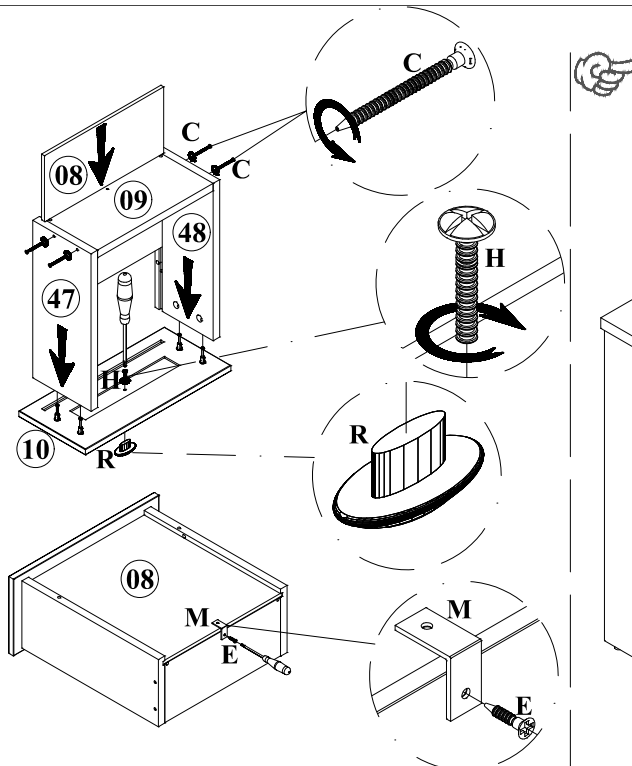
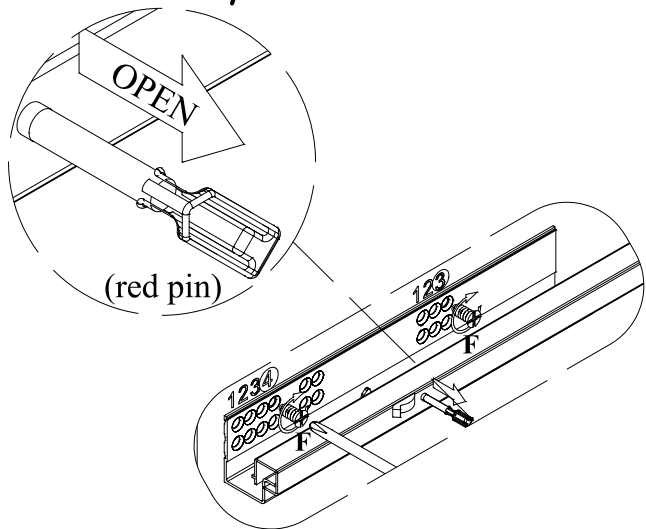
Assembly Instruction - 3



# LORA - STUDY DESK v01

Assembly Instruction - 4

## Slide Rail Assembly Instruction



!!SEE DRAWER ASSEMBLY!!

